



Product Information BlueSky

New product range

Webasto Thermo & Comfort Benelux
Kampen, June 2019



BIG **News** for Smaller boats



Webasto is now introducing
a full product range of BlueSky products. Giving
you the opportunity to sell roof products to new
Boat segments



Introduction

Since 2006 Webasto is selling Marine roofs which are mostly used in boats >30ft.

With the introduction of the Electric BlueSky roof in 2015 a new boat segment was approached and created!

<https://vimeopro.com/user62620619/nuts-and-bolts-of-fishing-tv-episodes/video/234050451>

What's **NEW**

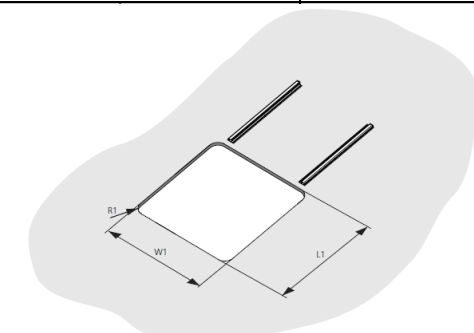
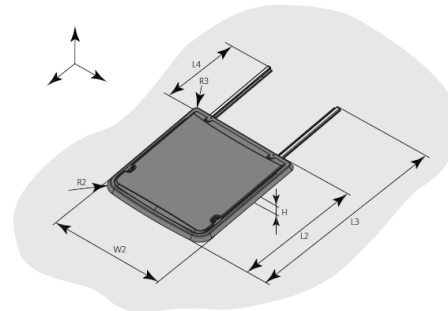
- **Manual operation**
Besides of the electrical operated BlueSky also a manual version is now available. The manual version offers the same quality and design features as the electrical operated version. The manual version is good alternative in case a more economical solution is desired.
- **Glass panel**
Besides of the acrylic panel the electrical operated BlueSky can also be offered with a 6 mm grey tinted glass panel. This variant is the top end of the range and offers a flush integration in the boat design
- **Cut-out size**
Besides of the cut-out dimension 770 x 720 the BlueSky roof is now also available in a smaller size, 500 x 500. This variant is only available in combination with manual operation and acrylic panel. The styling of the product is similar with the 770 x 720 variant.
- **Black finish**
Following the market trend, the BlueSky roofs are available in all black finish. This creates a more modern look and is in line with the black window pillars and frames.

BlueSky Product Range

Models & Variants

	BlueSky Range			
	Electric L770 W720 Glass	Electric L770 W720 Acrylic	Manual L770 W720 Acrylic	Manual L500 W500 Acrylic
Frame Material	Aluminum	Aluminum	Aluminum	Aluminum
Panel Material	Glass 6 mm	2x3 mm Acrylic / Grey Tinted	2x3 mm Acrylic / Grey Tinted	2x3 mm Acrylic / Grey Tinted
Sliding rail material	Aluminum	Aluminum	Aluminum	Aluminum
Overall Dimensions (L3 x W2)	1.462 x 777 mm	1.490 x 810 mm	1.490 x 810 mm	944 x 590 mm
Cut-out Length (L1)	770 mm	770 mm	770 mm	500
Cut-out Width (W1)	720 mm	720 mm	720 mm	500
Corner radius (FRC, RCR)	65 mm	65 mm	65 mm	65 mm
Operation Mode	Electrical 12 VDC	Electrical 12 VDC	Manual	Manual
Opening Dimension (L x W)	508 x 642 mm	483 x 642 mm	456 x 684 mm	192 x 464 mm
Weight	approx. 19 kg	approx. 14 kg	approx. 11 kg	approx. 8 kg

Partnumbers	3398253A - Silver finish	3396715A - Silver finish	← Silver finish: as long as stock lasts	
	NEW 3398857A - Black Finish	NEW 3398587A - Black Finish	NEW 3398817A - Black Finish	NEW 3398818A - Black Finish



BlueSky Manual Product impression



BlueSky Manual 770 x 720 in tilt position



BlueSky Manual 770 x 720 in slide position



BlueSky Manual, in closed position



BlueSky Manual details: slider with excenter and lifting bracket

BlueSky Black Product impression



BlueSky electric with silver finish to be replaced by black



BlueSky electric with black finish.



BlueSky electric with silver finish to be replaced by black



BlueSky electric with black finish

BlueSky Glass Product impression



BlueSky electric Glass. Note detail: Flush integration in Hard Top

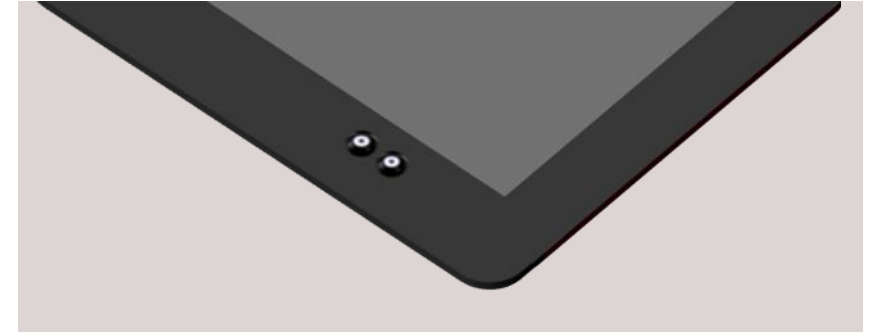
Features & Benefits

Panel design



Acrylic panel.

Frameless D-Shape design, double layer results in strength, insulation & light weight construction.



Glass panel:

Frameless design for perfect flush fit integration and high-end appearance.

Operation



Electric operation

Easy to use by a touch of a button. The automotive tilt and slide system ensures smooth operation and the panel can be stopped in any position.



Manual Operation

By rotating and moving the cross bar the panel will tilt and slide. With the unique blocking system the panel can be blocked in any desired position. Even the tilt/vent position.

Features & Benefits

Product finish



Product finish

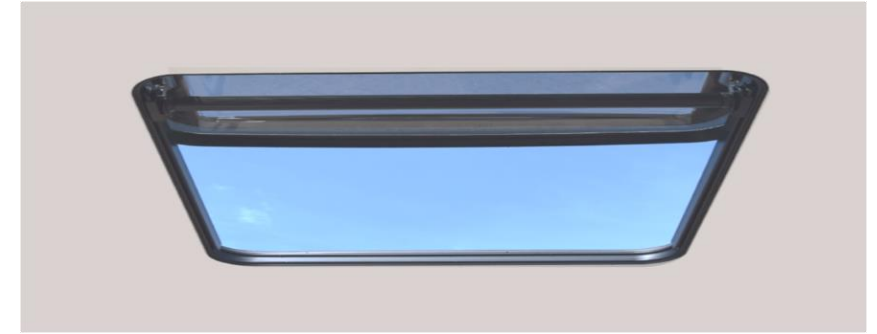
High-end product finish and quality. A perfect match with today's boat designs.

Technical



Full water tight system

Highly compressible sealing system all around the frame ensures a full water tight system.



Shade and fly-screen:

No parts are sticking out below the frame surface allowing ease of installation of shade and fly-screen.



ISO 12216

Product is homologated for boat category B and area III ensuring an approved application.



**Enjoy the blue sky with a
Webasto BlueSky!**



Thank you for your attention

Martin de Waal
Product Management Marine Roof & Shading

Martin.de.waal@webasto.com